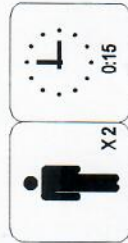
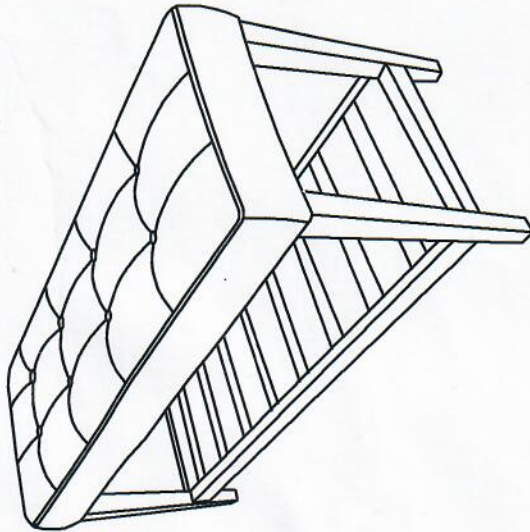








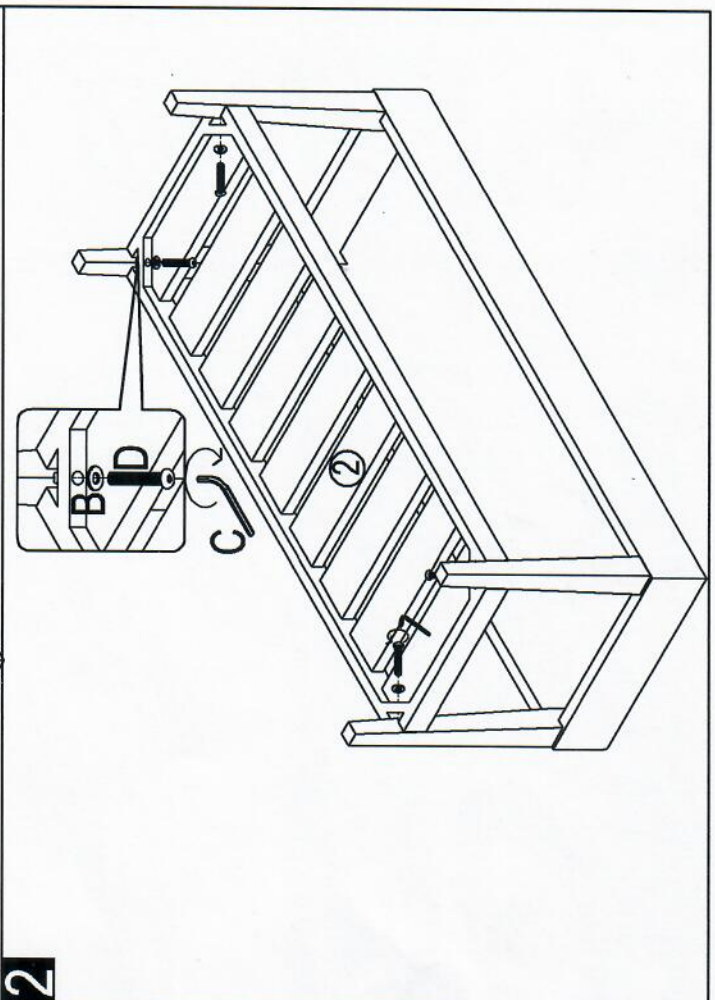
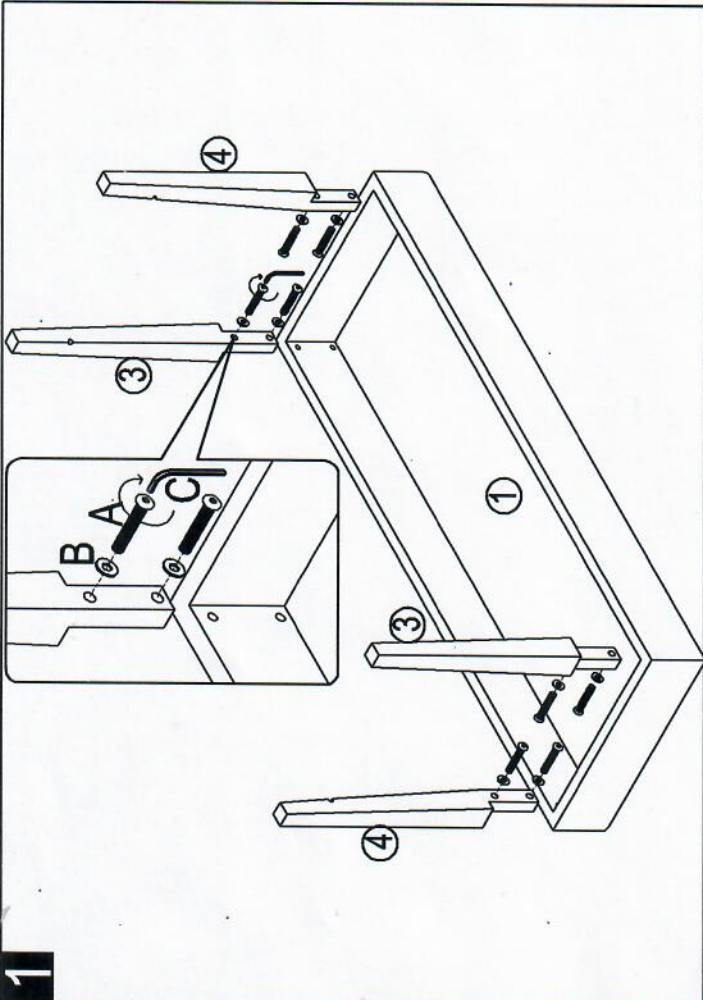


ASSEMBLY INSTRUCTIONS

MODEL#: UBC008



				
X1	X1	X2	X2	M6*35 X 8
				M6*50 X 4
X12	X1			



1

2