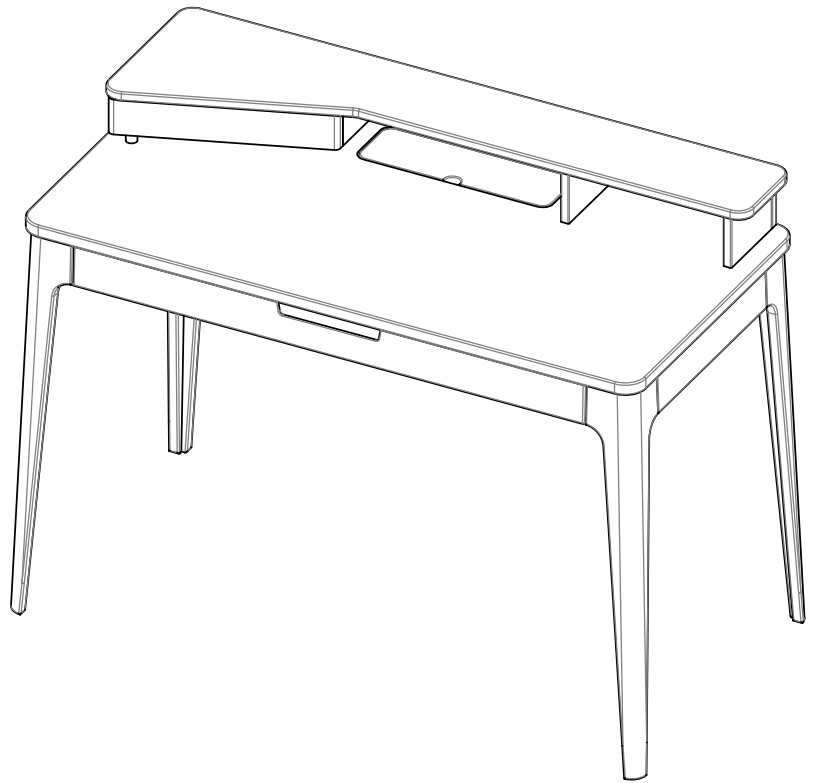




## MIRA desk

Stock number: 816 24102  
816 24701



L120 W60 H89.8 cm

Thank you for purchasing the MIRA desk . Please read the instructions and warnings carefully before use, to ensure safe and satisfactory operation of this product.

At John Lewis, we are committed to making as great products as possible.

From our in-house Design Team, to our buyers, we work together to bring great design to life.

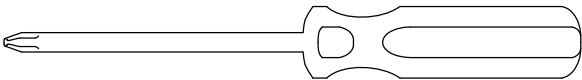
Our expert product technologists work collaboratively with our buyers and suppliers to assure the legality, safety and quality of the product we sell.

We are all committed to designing and developing products to the highest industry standards.

We hope you are happy with your product and welcome any feedback or comments you may have.

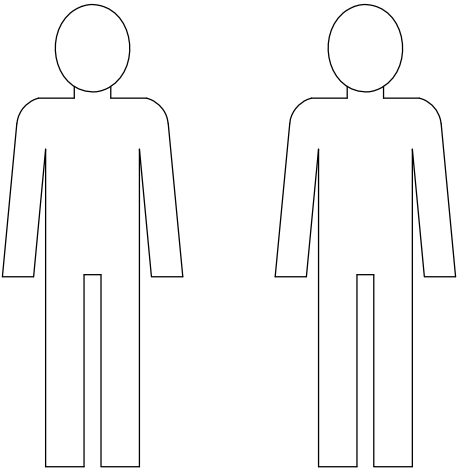
The John Lewis Team

## Tools required



**Time to assemble**  
30 minutes

**People to assemble**



# Important safety information

## Warnings

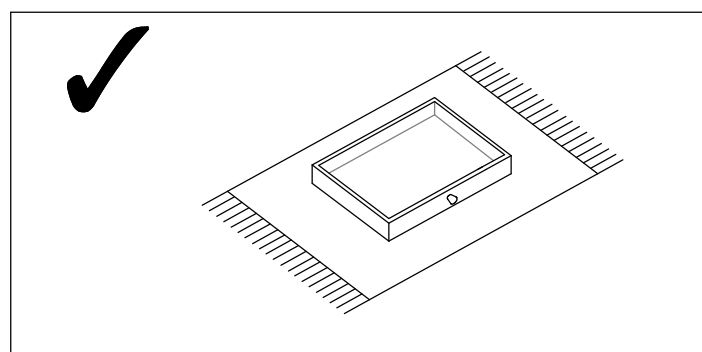
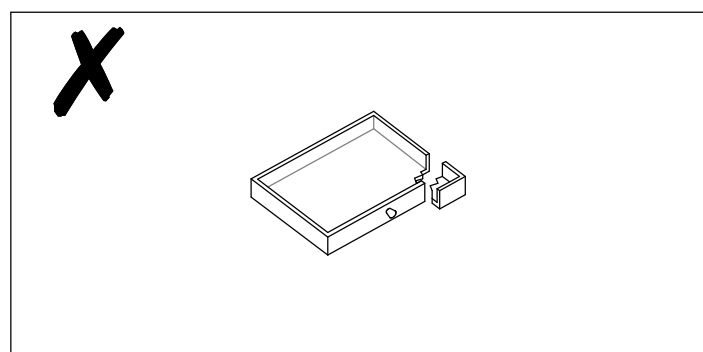
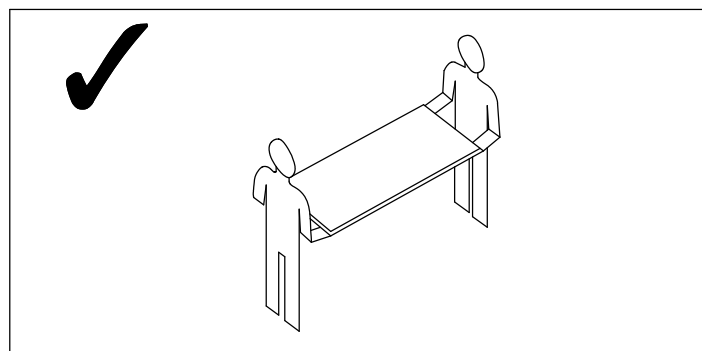
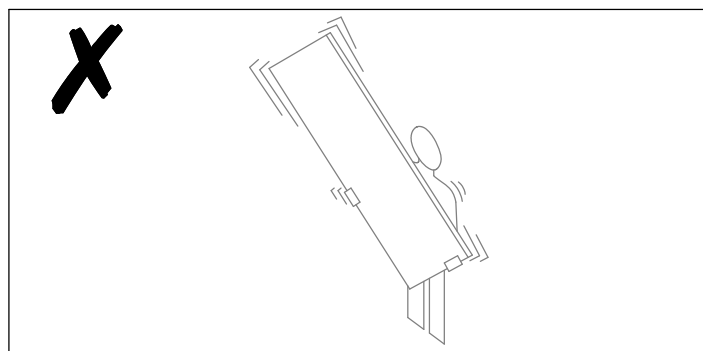
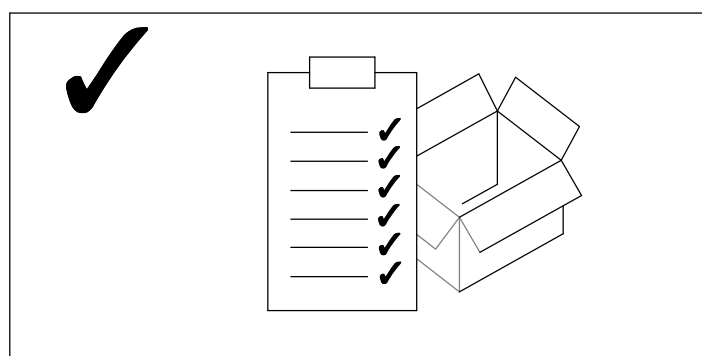
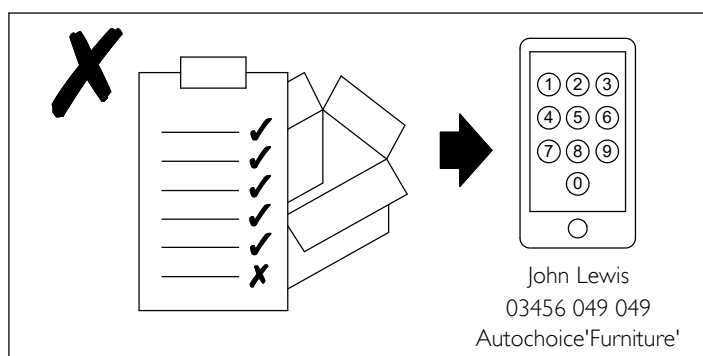
- ⚠ The product should only be used on firm, level ground.
- ⚠ Keep small parts out of reach of children.
- ⚠ Ensure the product is fully assembled as illustrated before use.

## Do's

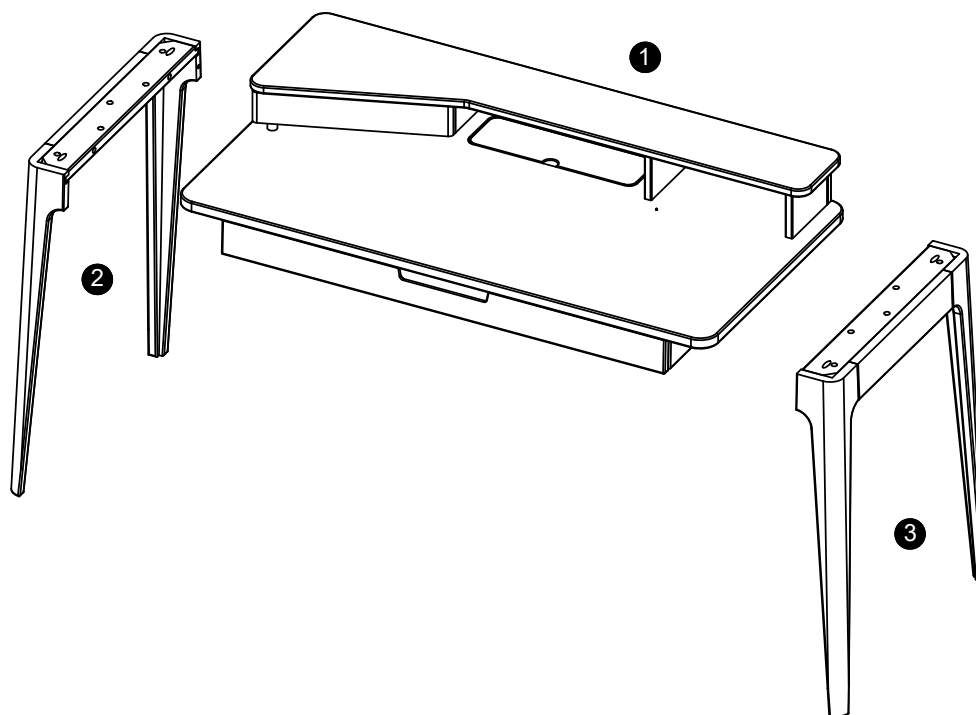
- ✓ Check the pack and make sure you have all the parts listed.
- ✓ Check all screws or bolts are tightened and inspect regularly.
- ✓ Make sure the legs remain in contact with the ground at all times.

## Don'ts

- ✗ Do not over tighten screws or bolts.
- ✗ Do not stand on the product.
- ✗ Do not use power tools to construct as overtightening and panel failure may occur.



# Your Desk



Ref	Description	Dimensions	Qty
①	Desk top	1200mm x 600mm x 225mm	1
②	Left leg	756mm x 580mm x 90mm	1
③	Right leg	756mm x 580mm x 90mm	1

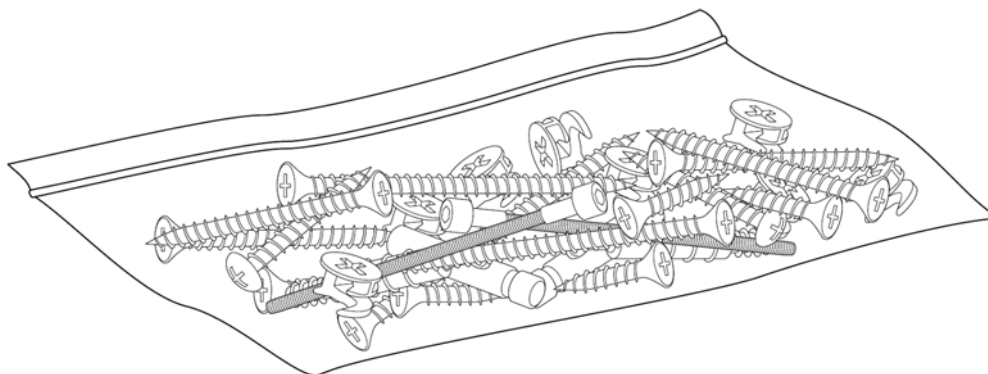
## Internal dimensions

Stock Number: 816 24102 / 816 24701

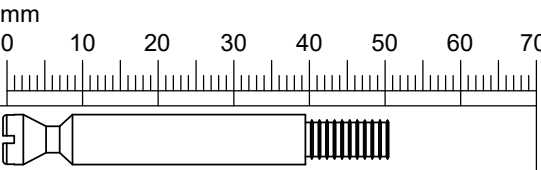
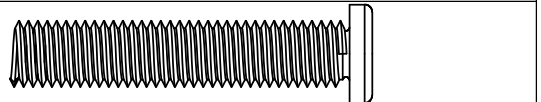

Desk overall size: L120 W60 H89.8 cm

Internal overall size: L100 W40 H67.3 cm


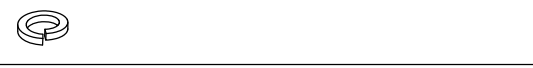


# Fixtures and fittings



Fixtures and fittings supply (actual size)

Ref	Description	Dimensions	Qty	mm
<b>A</b>	Steel dowels	6.5mm x 50mm	2	
<b>B</b>	Bolt	M8 x 45mm	10	
<b>G</b>	Grub screws	10 x 6.5mm	2	

Fixtures and fittings supply (not actual size)

Ref	Description	Dimensions	Qty	
<b>C</b>	Barrels	15 x 14mm	2	
<b>D</b>	Spring washer	M8	10	
<b>E</b>	Washer	M8	10	
<b>F</b>	Allen key L	5mm	1	

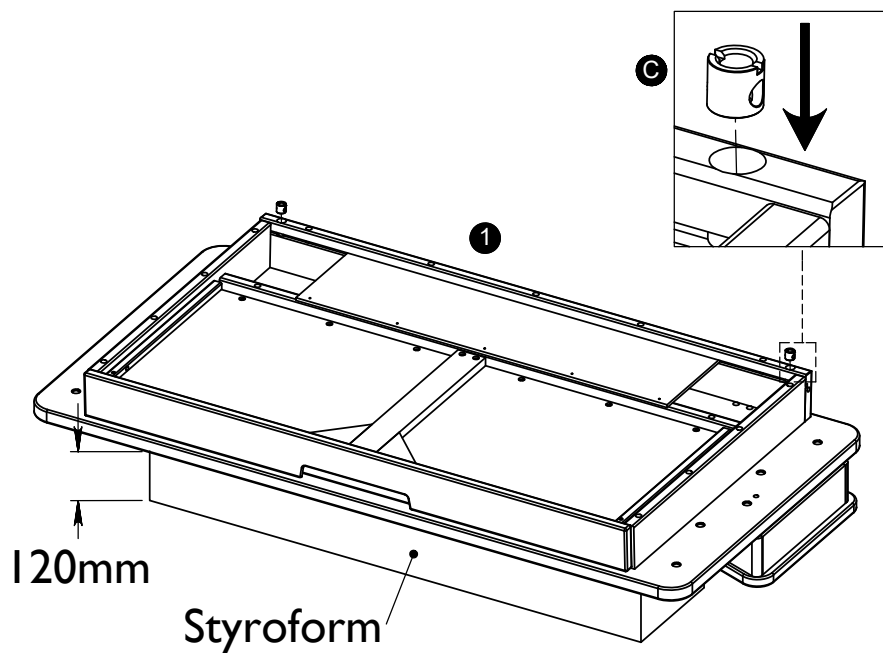
# Product assembly

MIRA desk  
816 24102  
816 24701

## Step 1

Parts and fittings

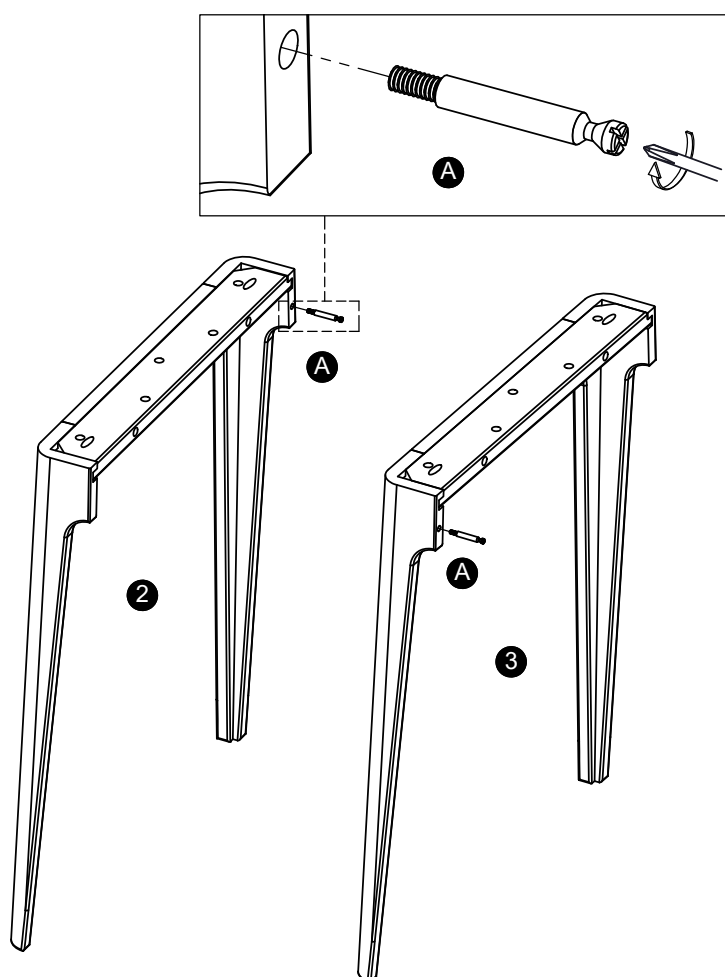
- Ⓒ
- ①



## Step 2

Parts and fittings

- Ⓐ
- ②
- ③



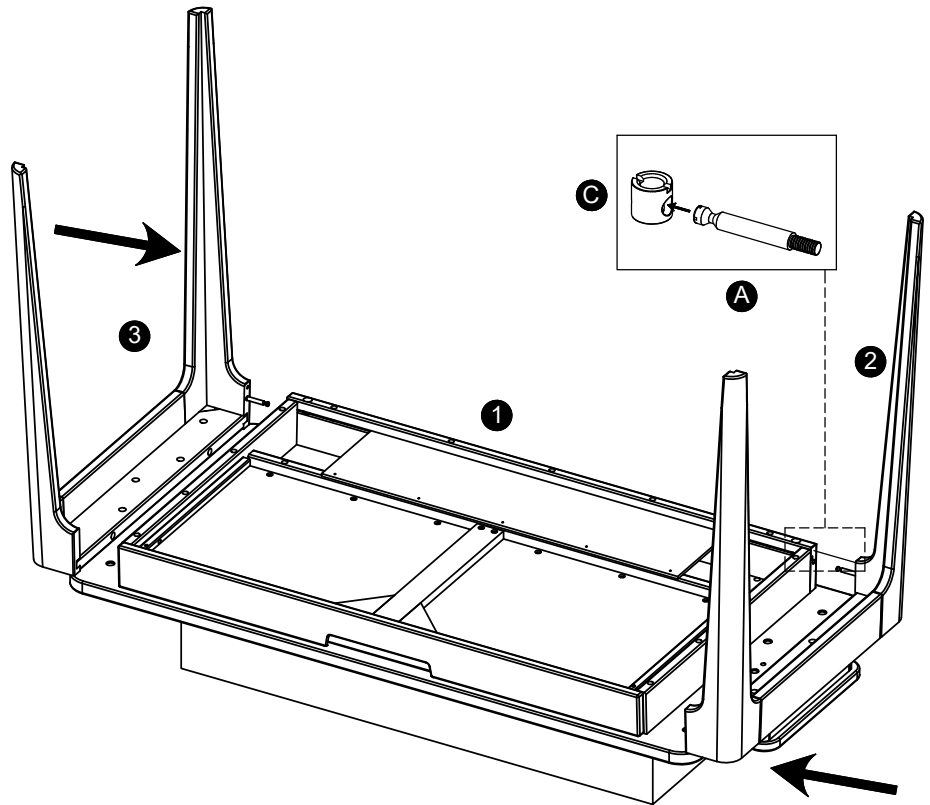
# Product assembly

MIRA desk  
816 24102  
816 24701

## Step 3

Parts and fittings

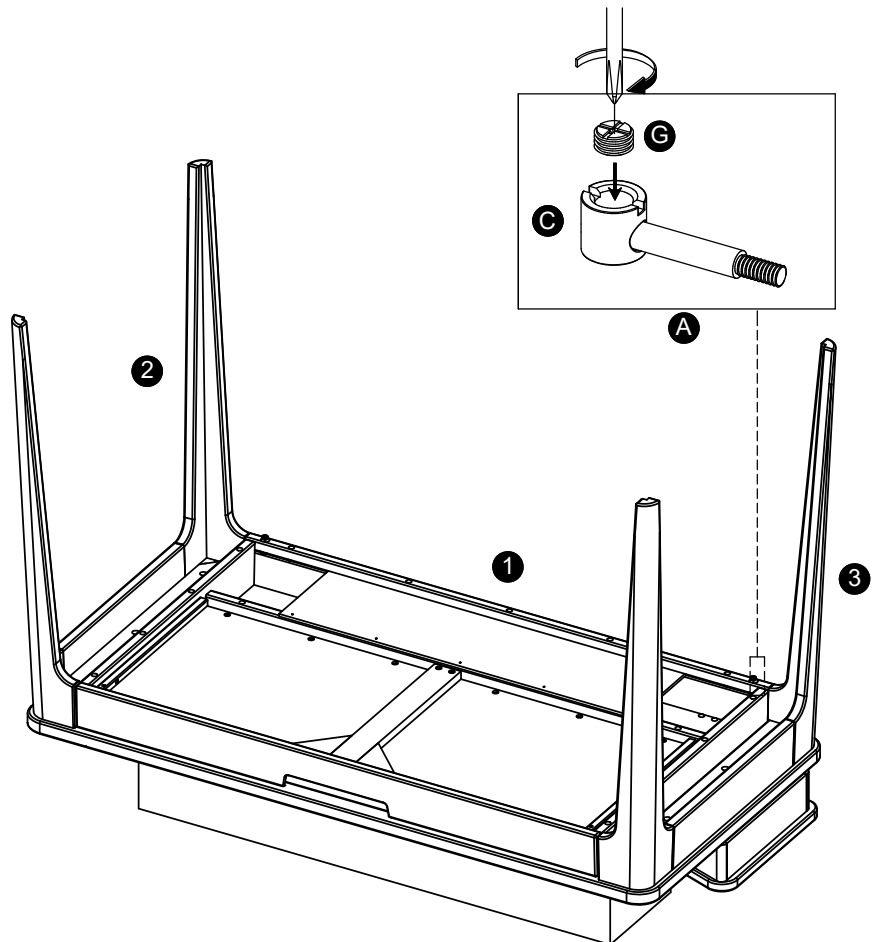
- A C
- 1 2 3



## Step 4

Parts and fittings

- A C G
- 1 2 3



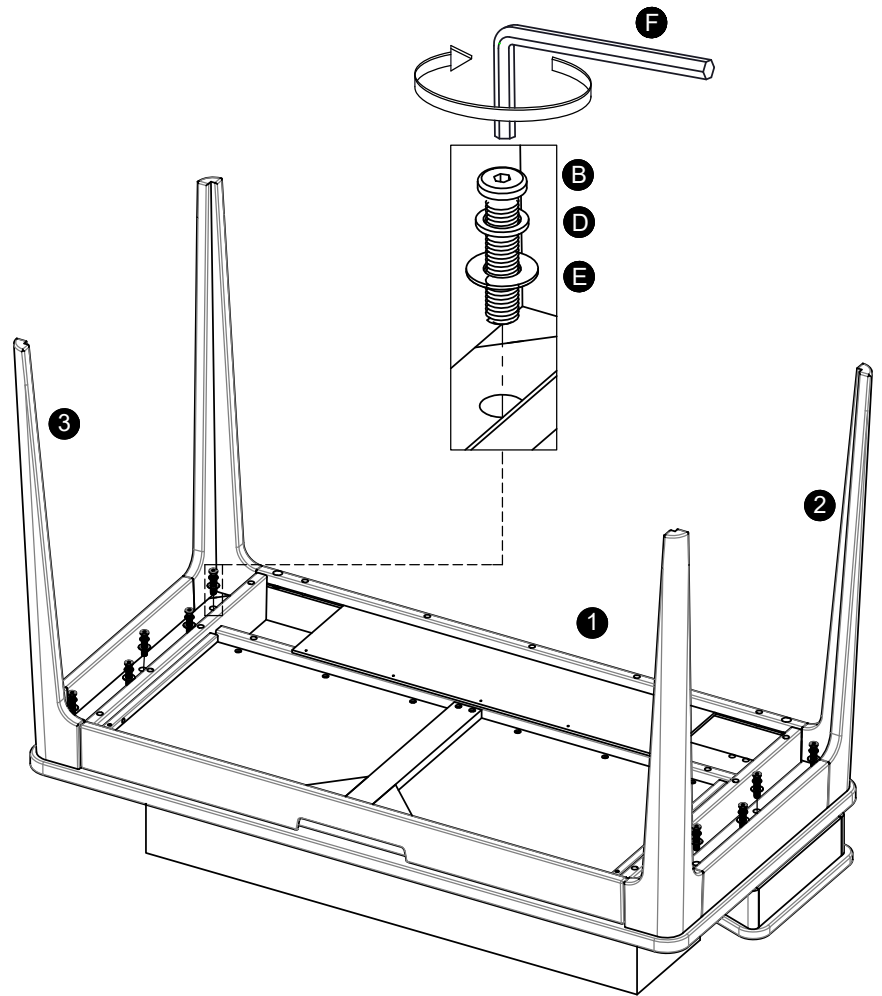
# Product assembly

MIRA desk  
816 24102  
816 24701

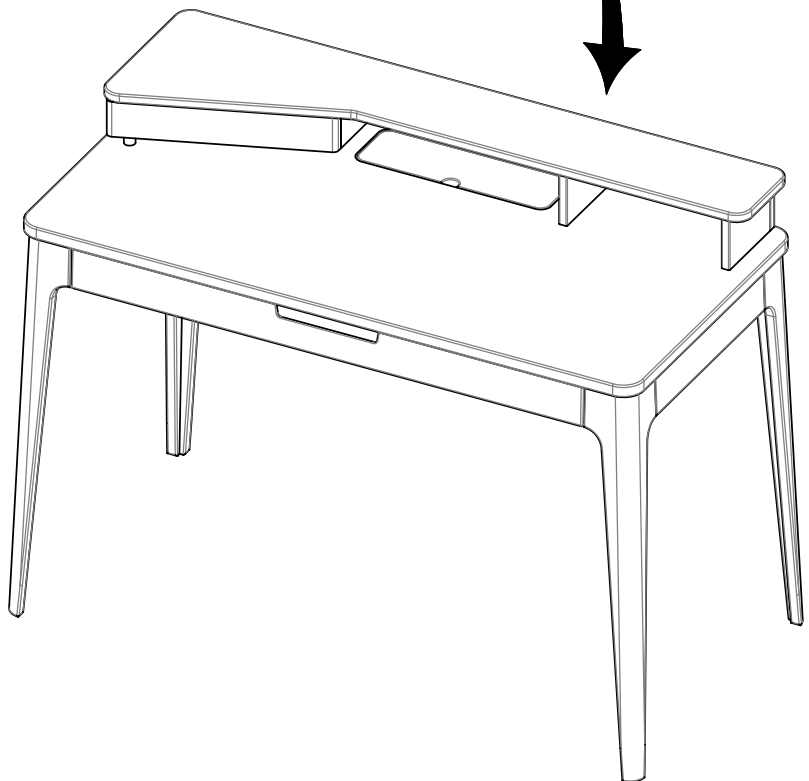
## Step 5 Final assembly

Parts and fittings

- B** **D** **E** **F**
- 1** **2** **3**



Returning the desk taking care  
not to pivot on the legs





## Care guide

### Care and maintenance

#### Wood Furniture

Wood displays different grain patterns depending on which way they cut - for example, the 'medullary ray' which can appear on solid wood furniture is a mark of good quality timber - these are just characteristics of the natural beauty of the wood. Some furniture is also deliberately aged and rustic.

Wood veneers also allow a distinctive pattern to be created on some surfaces, such as tabletops and drawer fronts by the way slivers are arranged.

All timber surfaces will change colour and mellow over time. New furniture will initially vary in shade from items that have been previously purchased.

#### How to care for your wood furniture

Furniture with a whitened oil and painted surface should be dusted with a dry cloth.

Water and other liquids can cause discoloration and damage to the wooden surface. In case any liquids are spilled on the surface, remove immediately with a clean cloth. Avoid rubbing the spilled liquid into the surface, but wipe gently, using a clean, firmly wrung damp cloth. Dry afterwards using a clean, dry cloth.

Make sure all surfaces are protected from heat by mats and coasters. Wipe up spills immediately and ensure that a mat or pad is placed under paper if you are writing.

Our furniture will endure most temperatures in the home but it is best to avoid placing furniture next to heat sources such as radiators or fires. Be particularly careful with solid wood as the lack of humidity caused by home heating can cause damage such as warping.

#### Safety Instructions

Never drag furniture when moving it, always lift it.

Periodically check all fixings to ensure none have come loose and re-tighten where necessary.

Please take care when handling or moving the furniture as careless handling may cause damage or injury.

Furniture can be dangerous if incorrectly installed. Assembly should be carried out by a competent person. No liability will be accepted for damage or injury caused by incorrectly installed or assembled furniture.

Retain these instructions for future reference.

Your feedback is very important to us and we would love to hear your comments on your new furniture. Please visit our website to leave a review. Thank you.