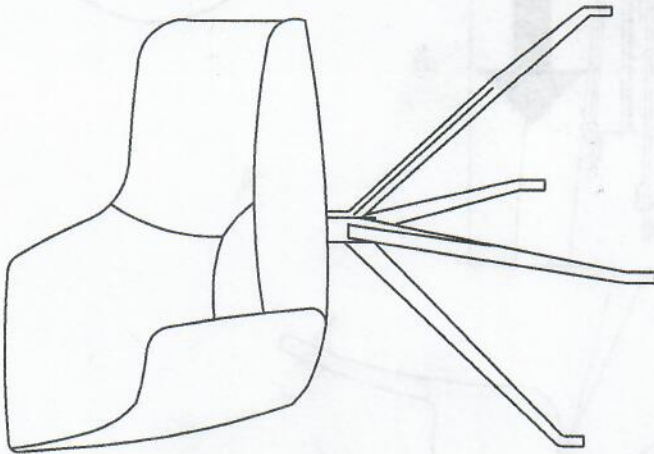









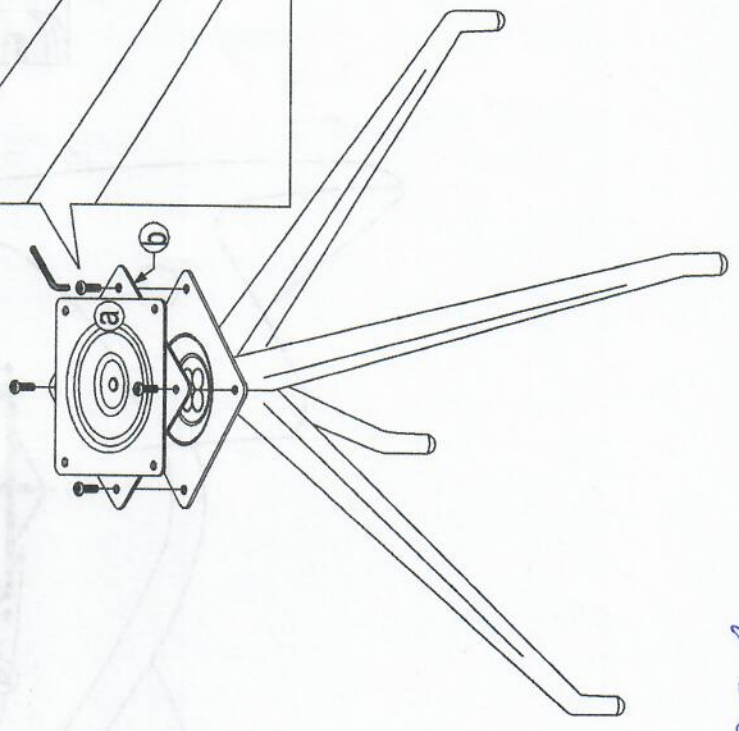
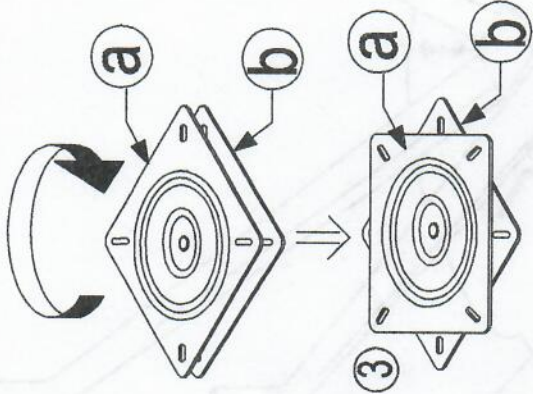
ASSEMBLY INSTRUCTIONS

DINING CHAIR MODEL# : UDC8221



 X1	 M6*16 X4
 X1	 M6*10 X4
 X1	 X4
 X1	

1



UDC8221-CH