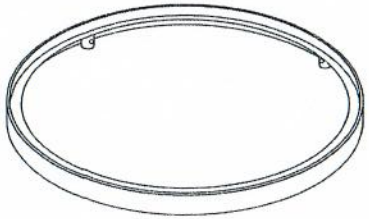
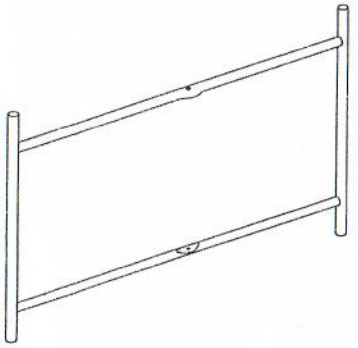


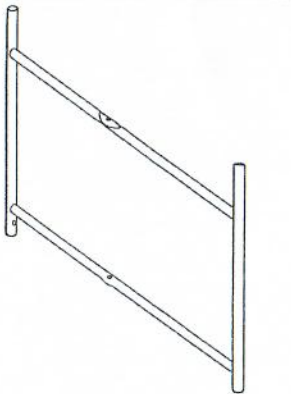
A x1



B x1



C x1



D x1



E x2



F x4

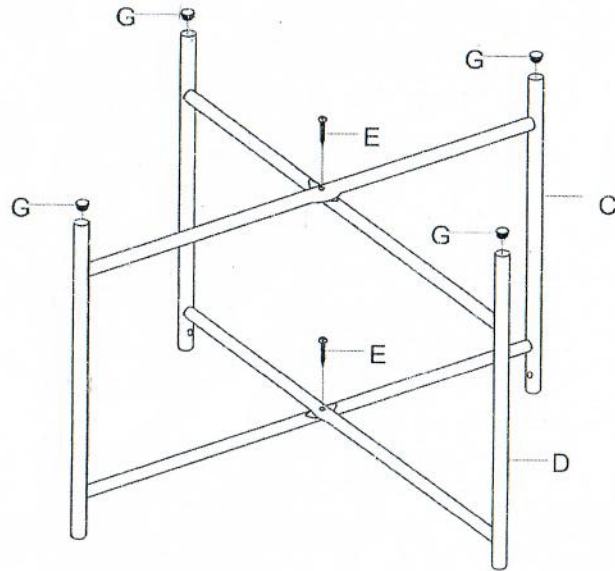


G x4

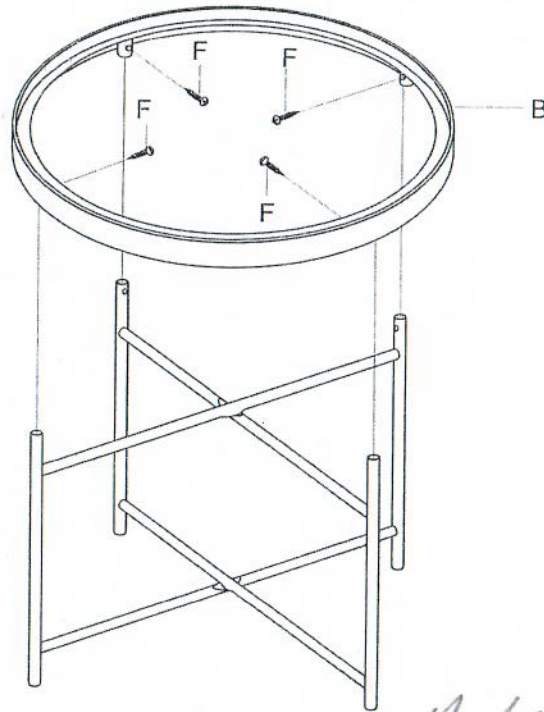


H x4

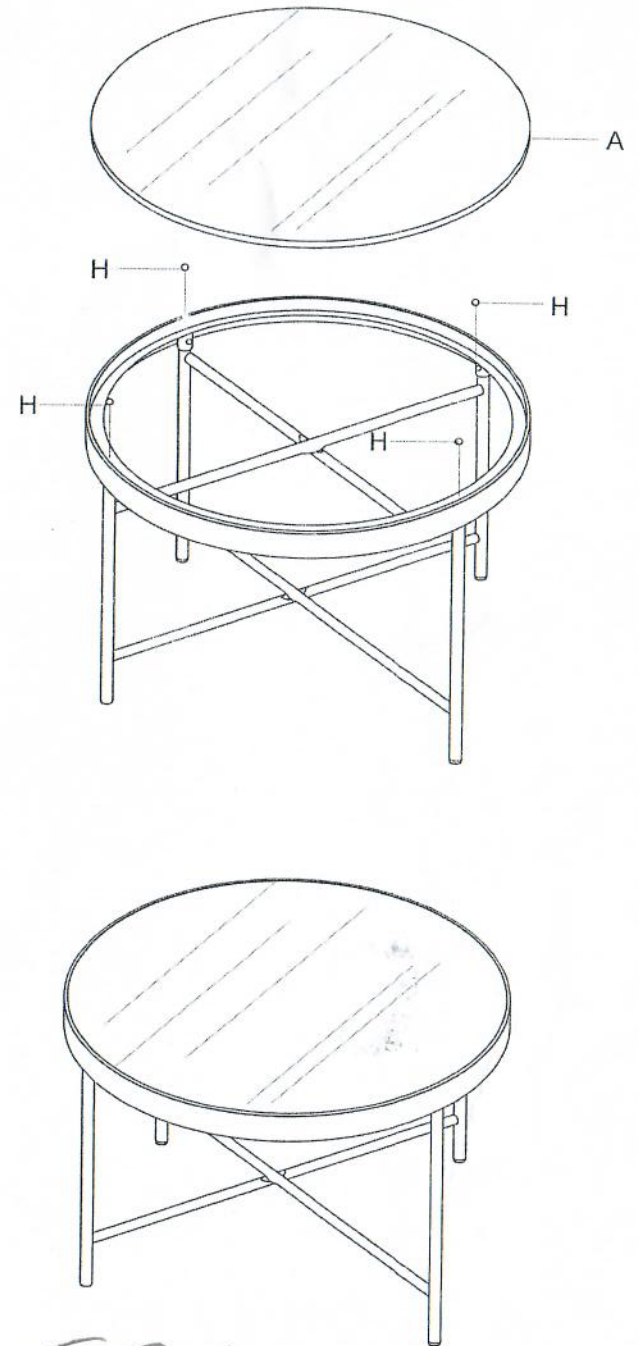
①



②



③



AK-CFD10