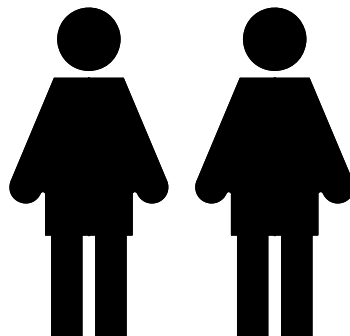
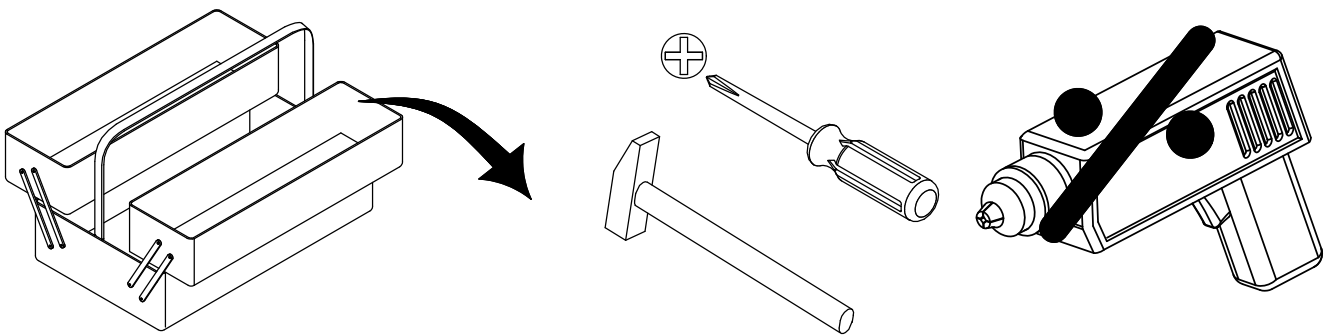
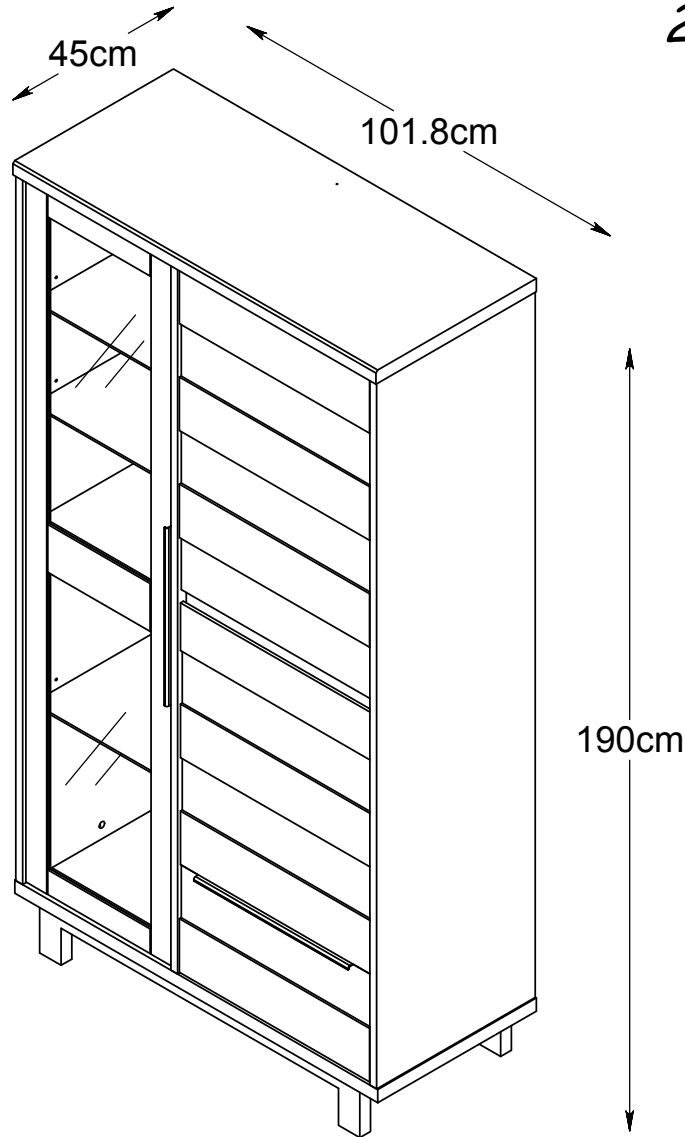


29478900



WICHTIG - FÜR SPÄTERE VERWENDUNG
AUFBEWAHREN - SORGFÄLTIG LESEN

IMPORTANTE, conservare per utilizzi futuri,
leggere attentamente.

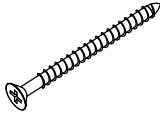

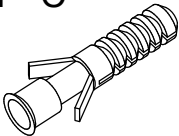


VIGTIGT - Samvejledningen skal opbevares
i arkiv til senere brug - Skal gennemlæses nøje

NOTICE - These instructions must be saved
for future use - Instructions must be followed

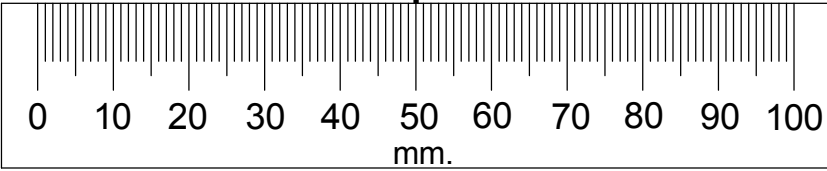
IMPORTANT - Veuillez conserver
la notice de montage dans le cadre
d'une prochaine utilisation.
Parcourir cette notice avec attention

TEILCHECKLISTE - DISTINTA DELLE PARTI - TJEKLISTE - CHECK LIST - LISTE DE CONTROLE

Réf./No.	Réf./Art.	Qty./Stck./Quantité	✓
A	314653	1	
B	314653	2	
C	314653	1	
D	314653	1	
E	314653	1	

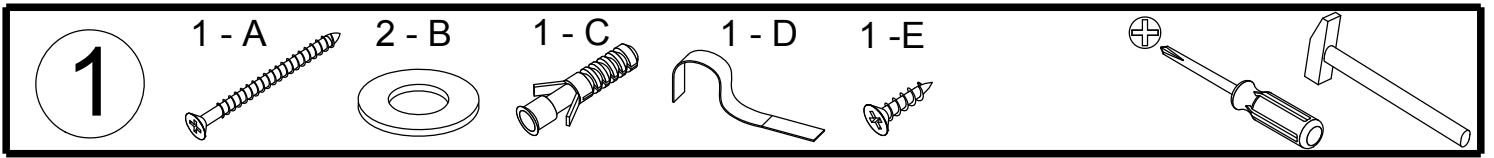
1 - A	2 - B	1 - C	1 - D	1 - E	
 Ø5x50mm	 M6	 Ø8x38mm	 200mm	 Ø3x15mm	

<p>Geehrter Kunde. Hier haben Sie die Möglichkeit die mitgelieferten Schrauben nachzumessen.</p> <p>Egregio cliente, Controllare le misure delle viti fornite in dotazione.</p> <p>Kære kunde. Her har De muligheden for at måle medsendte beslag.</p> <p>Dear Customer. Below you have the opportunity to measure the Enclosed Hardware.</p> <p>Cher Client. La règle ci jointe vous permet de mesurer la visserie.</p>	<p>Name/Name/Navn/Nom: _____</p> <p>Adresse/Indirizzo/Address: _____</p> <p>PLZ/CAP/Post.nr/Postal code: _____</p> <p>Telefon/Telefono/Téléphone: _____</p> <p>Oberfläche/Superficie/ Behandling/Treatment/Finition: _____</p> <p>No./Référence: _____</p> <p>Ursache/Causa/ Årsag/Reason/Motif: _____</p>
--	--



0 10 20 30 40 50 60 70 80 90 100
mm.





To prevent the furniture from tilting it needs to be fastened to the wall using the enclosed safety strap.

There are many different types of walls and partitions.

We are therefore not able to enclose the correct screws and wall plugs.

Before purchasing the appropriate wall plugs and screws, it is essential to find out which type of wall/partition the product needs to be fastened to.

